

Features & Options

- Delta Style Enclosure with Robust Tactile Pushbuttons
- Digital Display and Pushbutton Setpoint Adjustment
- Optional Occupancy Override with LED
- Optional Communication Jack and Test & Balance
- Wide Selection of Temperature Sensing Elements
- Two Year Warranty

The R μ P family of sensors provide local indication of Temperature and Setpoint with Setpoint Adjust and Override. An optional 3.5mm (1/8") or RJ11 comm jack can be mounted in the base to provide direct access to the network. The Setpoint is displayed for a short time after an adjustment.

The Setpoint can be programmed to display as an offset (i.e. -2 to 2) or as a value within a specified temperature range (i.e. 65 to 80 °F) and includes a user selectable setpoint lockout. The Override is a momentary signal that can be configured in parallel with the Sensor, Setpoint or as a separate output.

For detailed specs on the individual Sensors & Transmitters, turn to the Sensors section.



R μ P Room Unit

BAPI-Guard

- Prevents Tampering
- Exceptional Airflow
- Two Sizes

(See Accessories)



Specifications

Power: 5 VDC (only if 5 VDC option is selected when ordered)
7 to 35 VDC (15 to 24 VDC recommended)
12 to 30 VAC (requires a separate pair of shielded wires)

Power Consumption: 10 mA max. DC, .2 VA max. AC

Sensing Element: Thermistor, RTD or Semiconductor

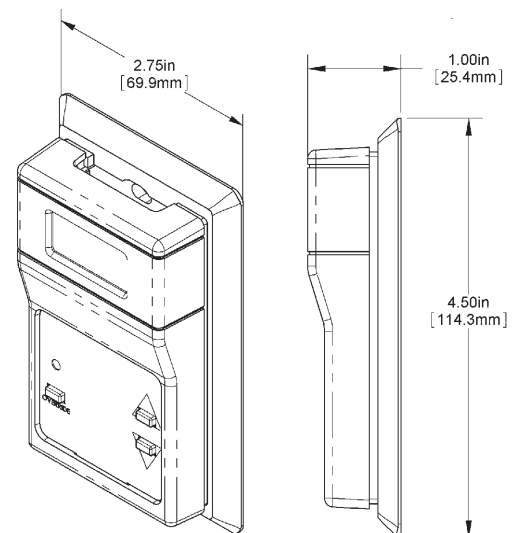
Wiring: 2 to 4 pair of 16 to 22AWG*

Comm. Jack: Optional 3.5mm (1/8") Phono Jack
or RJ11 Phone Jack

Mounting: Standard 2" by 4" J-box or drywall
mount (mounting screws provided)

Environmental Operation Range:
Temperature: 32 to 122 °F (0 to 50 °C)
Humidity: 0 to 95%, non-condensing

Enclosure Material & Rating: ABS Plastic, UL94 HB



VC350A "EZ" - Voltage Converter

BAPI recommends using DC power on room units for a more stable reading. Our 350mA "EZ" unit is a perfect way to convert 24 VAC to 5, 12, 15 or 24 VDC.



*BAPI recommends that you do not run wiring for the Room Units in the same conduit as line voltage wiring or with wiring used to supply highly inductive loads such as motors, generators and coils.



Ordering Information		RuP Room Unit - Temperature							
BA/RuP	Microprocessor Based Room Sensor with LCD Readout								
Display Mode		Pick F (°F) or C (°C) indication							
F	Temperatures Displayed in °F								
C	Temperatures Displayed in °C								
Optional Setpoint Configuration		If setpoint is required, you must pick a display designator and an output designator.							
- #	SETPOINT DISPLAY RANGE (Skip if setpoint is not required.)								
	<u>Desired Range</u>	<u>Designator</u>	<u>Desired Range</u> <u>Designator</u>						
	-3 to +3	A	55 to 85 °F or 13 to 30 °C D						
	-5 to +5	B	60 to 80 °F or 15 to 27 °C E						
	50 to 90 °F or 10 to 32 °C	C	65 to 80 °F or 18 to 27 °C F						
##	SETPOINT OUTPUT VALUE RANGE (Skip if setpoint is not required.)								
	<u>Desired Range</u>	<u>Designator</u>	<u>Desired Range</u> <u>Designator</u>						
	0 to 20 kΩ	80	0 to 5 V* 00						
	4.75 k to 24.75 kΩ	81	1 to 5 V* 01						
	6.19 k to 26.19 kΩ	82	3.7 to 0.85 V 02						
	7.87 k to 27.87 kΩ	83	0 to 10 kΩ 60						
	10 k to 30 kΩ	84	15 k to 5 kΩ 61						
			9577 to 1422 Ω 62						
Override Configuration		Must select one							
-J	Override as a Separate Input (Only available on units without setpoint)								
-N	Override in Parallel (//) with Sensor								
-P	Override in Parallel (//) with Setpoint: NOT available on voltage setpoint models								
-Z	No Override								
Optional Communication Jack		Mounted in unit's base							
-C11L	RJ11 (4 pin) Style Jack with Leads Attached								
-C11LT	RJ11 (4 pin) Style Jack with Leads and a Terminal Block Attached								
-C35L	3.5 mm Phono Style Jack with Leads Attached								
-C35LT	3.5 mm Phono Style Jack with Leads and a Terminal Block Attached								
-C22L	RJ22 (4 pin) Style Jack with Leads Attached								
-C22LT	RJ22 (4 pin) Style Jack with Leads and Terminal Block Attached								
Power Available at Panel		Must select one							
-5	Regulated, 5 VDC only								
-24	24 VDC = 7 to 35 VDC or 12 to 30 VAC								
Direct Sensor Options		Must select one							
-1375	1K Platinum RTD, 1,000 Ω @ 0 °C, 3.75 Ω/ °C temp. coeff.								
-1NI	1K Ω Nickel @ 21°C, 5 Ω/°C temp. coeff.								
-1	1K Platinum RTD, 1,000 Ω @ 0 °C, 3.85 Ω/ °C temp. coeff.								
-2	2K Silicon RTD, 2,000 Ω @ 20 °C, 8 Ω/ °C temp. coeff.								
-18	1.8K Thermistor, 1,800 Ω @ 25 °C								
-3	3K Thermistor, 3,000 Ω @ 25 °C								
-33	3.3K Thermistor, 3,300 Ω @ 25 °C								
-102	10K-2 Thermistor, 10,000 Ω @ 25 °C								
-103	10K-3 Thermistor, 10,000 Ω @ 25 °C								
-10311	10K-3[11K] Thermistor, 5,238 Ω @ 25 °C, 11kΩ shunt resistor								
-20	20K Thermistor, 20,000 Ω @ 25 °C								
-50	50K Thermistor, 50,000 Ω @ 25 °C								
-100	100K Thermistor, 100,000 Ω @ 25 °C								
-592	AD592 Semiconductor, 273 μA @ 0 °C								
Optional Test and Balance Switch									
-TB	Three Position Switch - "Low" & "High" values vary, "Normal" is live sensor value. Call for details.								
Setpoint Lockout		Must select one							
-NL	No Lockout								
-SL	Lockout Enabled								
Connection Configuration		Must select one							
-CG	Common Ground								
-DF	Differential Inputs								
Optional Copla White Enclosure		Warm White is Standard							
-CPW	Copla White Enclosure Color								
EXAMPLE									
BA/RuP	F	-E83	-N	-C11LT	-5	-0	-TB	-NL	-CG
Example Part Number: BA/RuPF-E83-N-C11LT-5-0-TB-NL-CG									
Your Part Number:									

All models can be field calibrated so the displayed ambient temperature value matches a reference device (±3°, 1° steps), call for details.

All models include an LED which can be activated by logic LOW (GND) at the terminal block and which is limited via a 1kΩ series resistor. Other options are available. Call your BAPI representative for more information.

*Common Ground Only

Call BAPI if you have questions about the above ordering grid or the configuration of the product you are ordering.